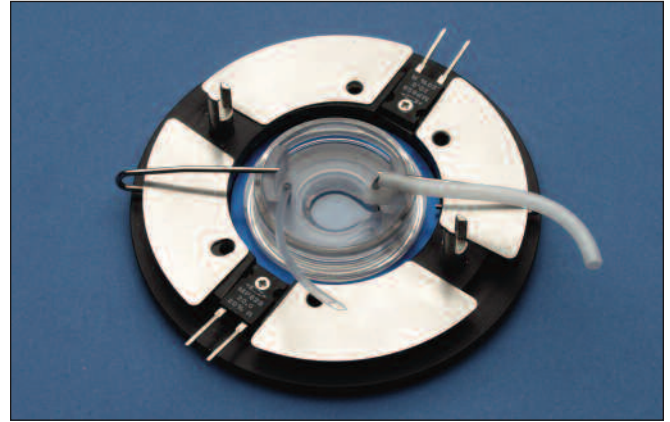
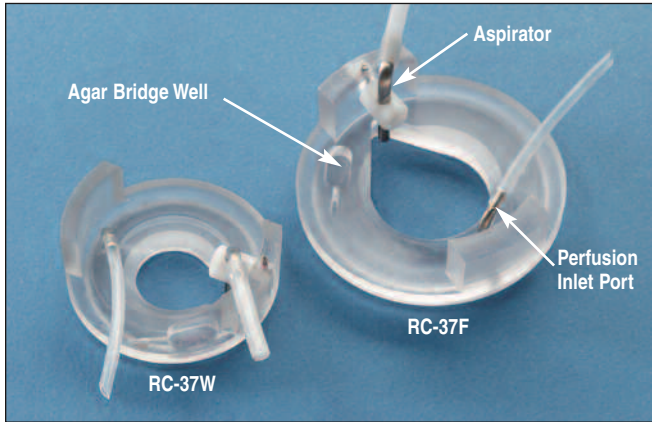


# culture dish inserts

## RC-37F and RC-37W

### Cell Culture Dish Perfusion Chamber Insert

*Chamber inserts with perfusion for 35 mm culture dishes*



- Designed for glass bottom 35 mm culture dishes
- Permits imaging, recording, and perfusion in the culture dish
- Open and closed bath designs
- Incorporates Warner's diamond fluidics
- Ideal for rapid screening assays

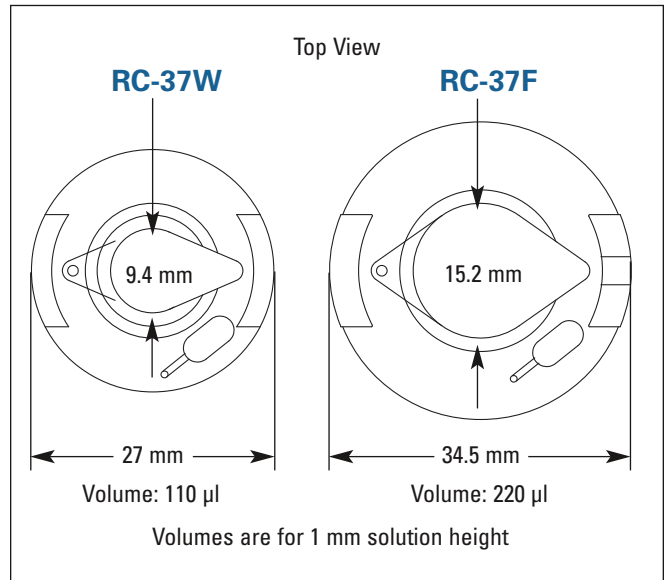
#### Culture Dish Perfusion

The introduction of thin glass bottom culture dishes has expanded the use of these popular tools dramatically. Applications such as live cell imaging, confocal microscopy and time-lapsed photography are now possible. The ability to exchange the extracellular environment by perfusion 35 mm dishes has been difficult at best, until now.

The RC-37 Perfusion Chamber Inserts for cell culture dishes makes perfusion within these dishes a simple matter. Fluid is delivered to a perfusion inlet port and removed from the chamber by means of a height adjustable aspirator. A thin coating of silicone grease forms a seal between the insert and dish.

Inserts are available to fit the Willco Wells, Corning, MatTek, Nunc and Falcon 35 mm dishes. The chamber is compatible with the DH-35i and DH40i Culture Dish Incubators and the QE-1 Quick Exchange Platform.

*Each chamber is supplied with 1 foot of C-Flex tubing and 10 feet of PE-160 tubing.*



Order #	Model	Product
W3 64-0348	RC-37F	Chamber Insert for Corning, MatTek, Nunc, WPI and Falcon 35 mm Dishes
W3 64-0347	RC-37W	Chamber Insert for Willco 35 mm Dishes