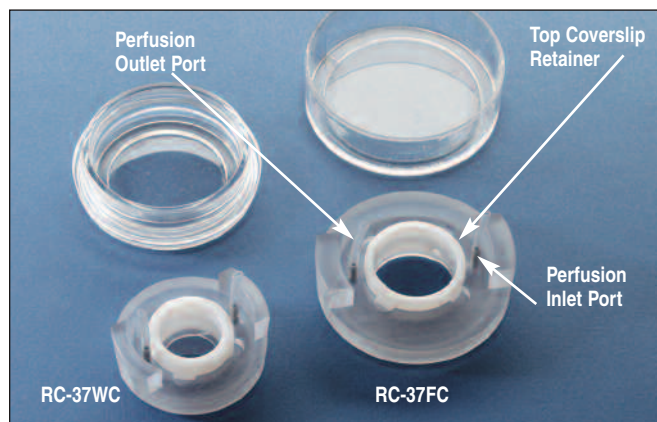


# culture dish inserts

## RC-37FC and RC-37WC

### Closed Bath Chambers

*Closed bath chamber inserts with perfusion for 35 mm culture dishes*



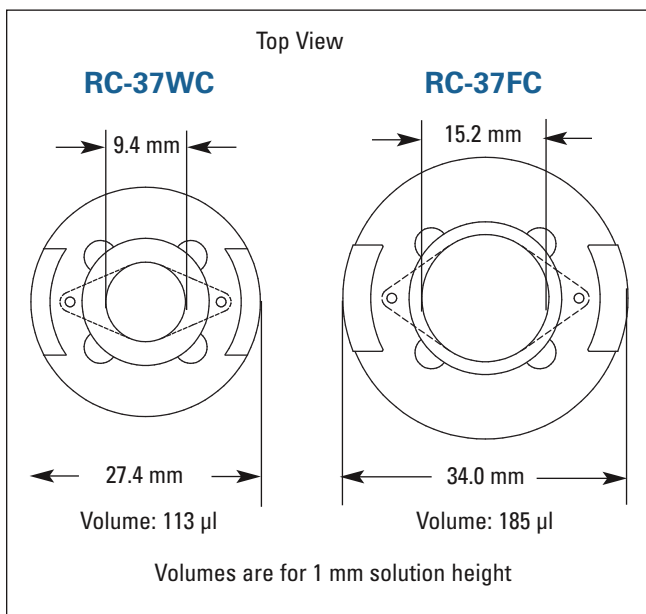
- Designed for glass bottom 35 mm dishes
- Permits imaging and perfusion in the cell culture dish
- Incorporates Warner's diamond fluidics
- Ideal for rapid screening assays

The RC-37 family of perfusion chamber inserts makes perfusion of cell culture dishes a simple matter. The closed bath promotes an even solution exchange and eliminates changes in focus due to alterations in bath height. In addition, studies involving physiological bicarbonate buffers can be performed with no gas loss at the chamber interface.

Fluid is delivered to a 18 gauge perfusion inlet port and removed from the chamber by means of an outlet port of the same gauge. The top coverslip is held in place with a retainer and the dish becomes the chamber bottom. A thin coating of silicone grease forms the seal between chamber and dish. The distance between top and bottom coverslips is 1 mm. The RC-37WC uses 15 mm top coverslips and the RC-37FC works with 18 mm coverslips.

The RC-37WC fits in the Willco Wells dishes while the RC-37FC fits Nunc, Falcon, MatTek or Corning 35 mm dishes. Warner's DH-35 Culture Dish Heater may be used to heat the Corning, MatTek and Willco Wells 35 mm culture dishes. Warner's DH-35i and DH-40i Culture Dish Incubators and the QE-1 Quick Change Heated Base are compatible with all 35 mm culture dishes.

*The RC-37WC is supplied with one box of #1 thickness coverslips (CS15R, 15 mm round, 100/pkg) and the RC-37FC is supplied with one box of #1 thickness coverslips (CS18R, 18 mm round, 100/pkg). Both chambers are supplied with 10 feet of PE-160 polyethylene tubing and tools to remove the top coverslip retainer.*



Order #	Model	Product
W3 64-0364	RC-37FC	Chamber Insert Closed for Corning, MatTek, Nunc or Falcon 35 mm Dishes
W3 64-0363	RC-37WC	Chamber Insert Closed for Willco 35 mm Dishes
<b>Accessories and Replacement Parts</b>		
W3 64-0703	CS-15R	Coverslips 15 mm diameter #1 Thickness – Box of 100
W3 64-0384	CS-18R	Coverslips 18 mm diameter #1 Thickness – Box of 100
W3 64-0758	D3522P	Glass Bottom Cell Culture Dishes – 20/Pouch
W3 64-0762	D3522B	Glass Bottom Cell Culture Dishes – Pkg of 120
W3 64-0378	111-KIT	Silicone Grease Kit with Brushes and Pallets
W3 64-0110	DH-35	35 mm Culture Dish Heater
W3 64-0349	DH-35i	Culture Dish Incubation System
W3 64-0388	DH-40i	Culture Dish Incubation System
W3 64-0375	QE-1	Quick Exchange Heated Base w/Perfusion and Adapter Ring Kit