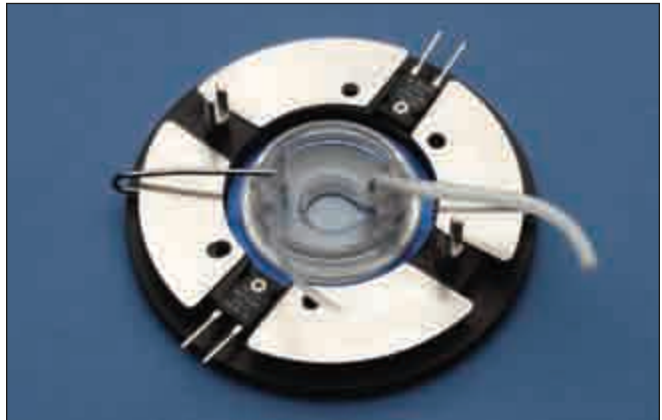
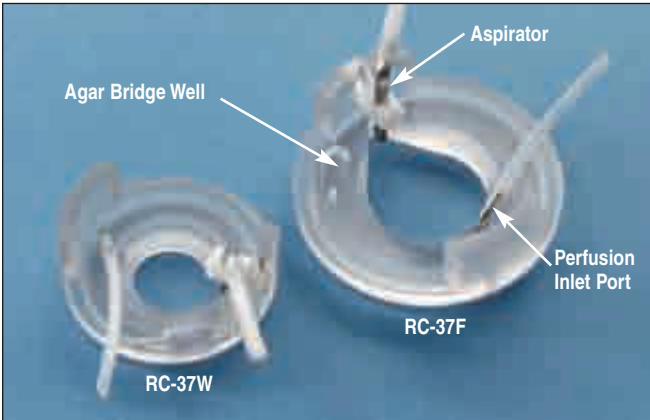


# culture dish inserts

## RC-37F and RC-37W

### Cell Culture Dish Perfusion Chamber Insert

**Chamber inserts with perfusion for 35 mm culture dishes**



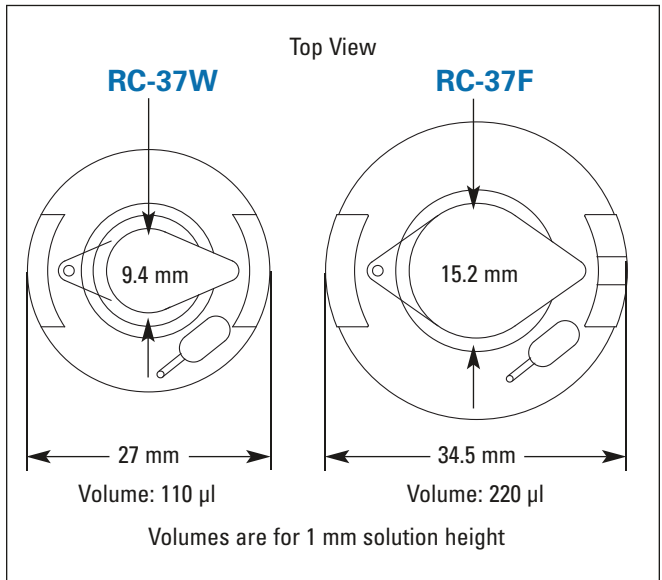
- Designed for glass bottom 35 mm culture dishes
- Permits imaging, recording, and perfusion in the culture dish
- Open and closed bath designs
- Incorporates Warner's diamond fluidics
- Ideal for rapid screening assays

The introduction of thin glass bottom culture dishes has expanded the use of these popular tools dramatically. Applications such as live cell imaging, confocal microscopy and time-lapsed photography are now possible. The ability to exchange the extracellular environment by perfusion 35 mm dishes has been difficult at best, until now.

The RC-37 Perfusion Chamber Inserts for cell culture dishes makes perfusion within these dishes a simple matter. Fluid is delivered to a perfusion inlet port and removed from the chamber by means of a height adjustable aspirator. A thin coating of silicone grease forms a seal between the insert and dish.

Inserts are available to fit the Willco Wells, Corning, MatTek, Nunc and Falcon 35 mm dishes. The chamber is compatible with the DH-35i and DH40i Culture Dish Incubators and the QE-1 Quick Exchange Platform.

*Each chamber is supplied with 1 foot of C-Flex tubing and 10 feet of PE-160 tubing.*



Order #	Model	Product
W4 64-0348	RC-37F	Chamber Insert for Corning, MatTek, Nunc, and Falcon 35 mm Dishes
W4 64-0347	RC-37W	Chamber Insert for Willco 35 mm Dishes