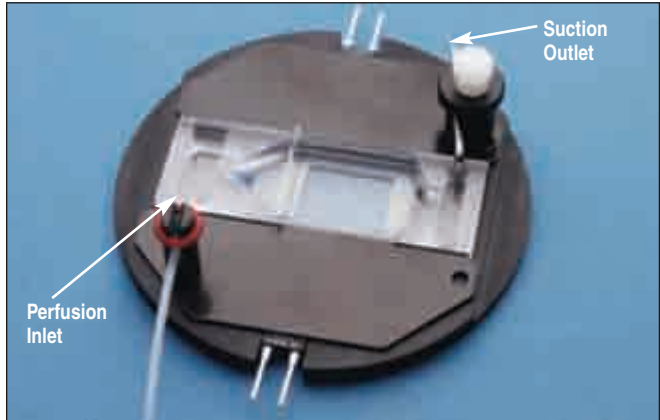
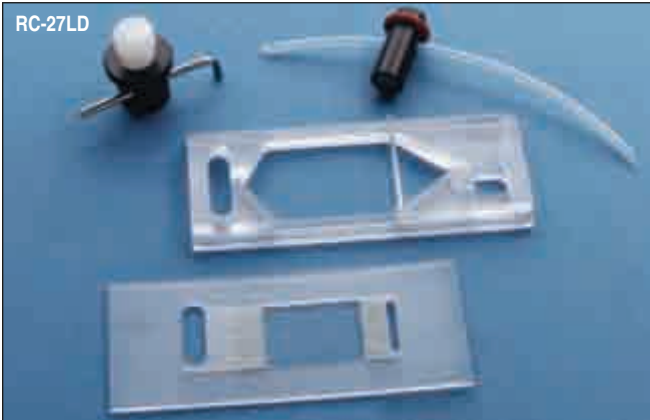


series 20 chambers

RC-27D and RC-27LD

Ultra-quiet Imaging Chamber for Slice Studies

The RC-27L with a special input for applications requiring ultra quiet solution delivery



RC-27LD shown in a PM-7D heated platform

- Designed for tissue slice studies
- RC-27LD includes slice support
- Eliminates vibration associated with solution exchange
- Allows multiplexed solution delivery without solution switching artifacts

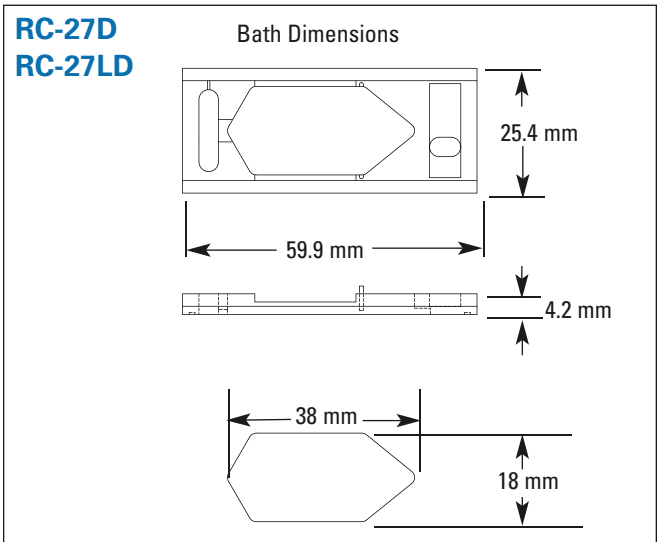
The RC-27D and RC-27LD chambers are designed with tissue slice studies in mind. A large imaging field allows for maximal observation of biological specimens. Advantages of this system over other chambers includes the presence of a sloped inflow channel which allows for smooth and "ultra-quiet" solution delivery.

The sloped input of these chamber allows I-V type infusion lines to deliver drops at a fixed rate without the transfer of noise to the specimen field. In addition, multiplexed solution delivery is now possible without the potential for solution switching artifacts. This new technology provides the capability of ultra-quiet solution exchange without transferring noise to either the system or to the image.

Measurement from tissue slices is provided for by the inclusion of slice support in the RC-27LD chamber. Slices are supported 0.5 mm above the chamber floor. Support threads are made of Lycra and thread spacing is 0.5 mm.

The RC-27D requires a PM-7 platform and the RC-27LD requires a PM-7D platform. Both chambers also require a stage adapter to complete the assembly for mounting onto a microscope

Each chamber is supplied with a MAG-2 magnetic clamp for suction tubes, a magnetic perfusion tube holder, a package of #2 thickness glass coverslips (CS-24/60), 40/pkg, and 10 feet of PE-160 polyethylene tubing. The RC-27LD also includes a slice support. Slice anchors are sold separately, see page 71.



Order #	Model	Product
W4 64-1548	RC-27D	Slice Chamber, Ultra-quiet
W4 64-1532	RC-27LD	Slice Chamber, Ultra-quiet with tissue slice support
W4 64-1529	PM-7	Chamber Platform for RC-27D
W4 64-1530	PM-7D	Chamber Platform for RC-27LD
Accessories and Replacement Parts		
W4 64-1550	SS-4-500V	Slice Support 500 Micron
W4 64-1551	SS-4-500H	Slice Support 500 Micron
W4 64-0256	SHD-27LH/10	Metal Slice Hold Down, 1 mm
W4 64-0257	SHD-27LH/15	Metal Slice Hold Down, 1.5 mm
W4 64-0258	SHD-27LH/20	Metal Slice Hold Down, 2 mm
W4 64-0259	SHD-27LP/10	Plastic Slice Hold Down, 1 mm
W4 64-0260	SHD-27LP/15	Plastic Slice Hold Down, 1.5 mm
W4 64-0261	SHD-27LP/20	Plastic Slice Hold Down, 2 mm
W4 64-0710	CS-24/60	Coverslips, 24 x 60 mm