

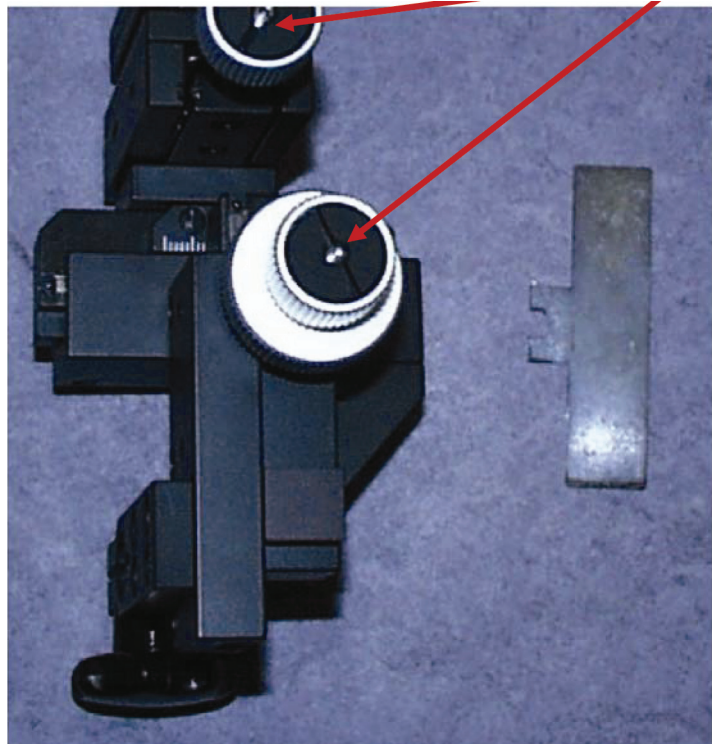
On the MM-33 there are different procedures to adjust the torque depending on the axis.

X- and Y-axis

To adjust the X- and Y-axis you will need a special adjustment tool (a Collet tool, shown in the image to the right).

This tool inserts into the slots on the ends of the knobs, and turning the screw while holding the knob adjusts the tension.

(Clockwise= increased torque)



Z-axis

The Z-axis control is the *larger knob* on the dual axis positioning assembly.

- Using the Collet tool, loosen the smaller X-axis knob.
- Loosen the small setscrew (shown to the right) on the separating washer.
- Hold the larger Z-axis knob in position and rotate the separating washer to tighten.
- Tighten the setscrew to lock the adjustment into place.
- Finally, adjust the torque on the smaller, X-axis knob as described above.

