

U9926 & U2500

Self-Contained Ussing Chambers

Ussing/diffusion

The Classic system in a small package. Inserts available for excised tissue and cultured cells

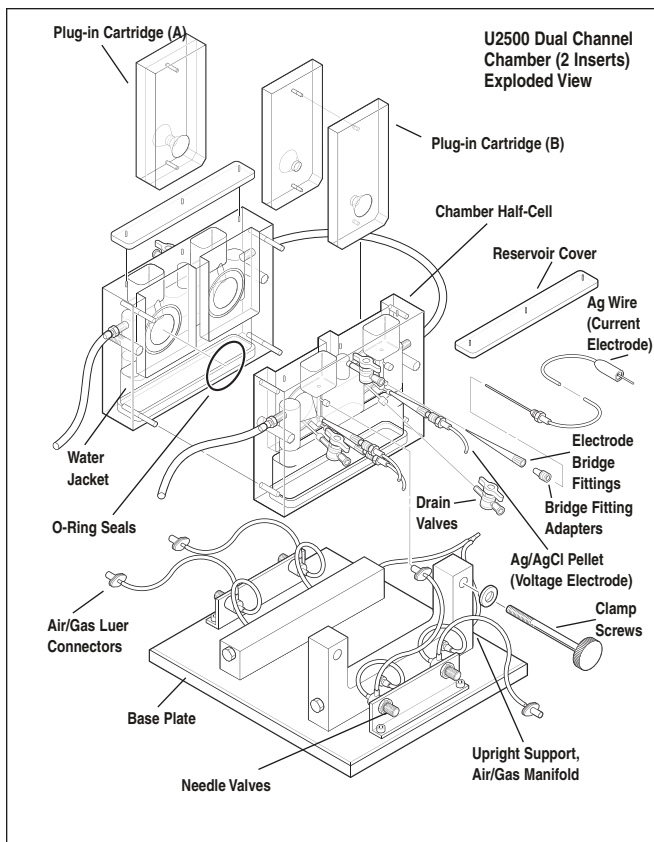
The U9926 and U2500 Self-Contained Ussing chambers improve on the Classic design by bringing the solution reservoir into the chamber housing. This dramatically reduces the size of the apparatus and increases the ease-of-use of the system.



U9926 Single Channel Chamber



U2500 Dual Channel Chamber (2 Inserts)



U2500 Dual Channel Chamber (2 Inserts) Exploded View

The Self-Contained Ussing Chamber Systems

The Self-Contained Ussing Chambers systems come in single- and dual-channel models and offer many advantages over the Classic design. The single-channel **U9926** and dual-channel **U2500** are shown above. Both systems make use of inserts to secure and position the tissue or culture cup within the chamber body.

Chamber bodies (single- and dual-chamber models) consist of chamber-halves which clamp around the insert(s). Each chamber-half has four ports that enter into its respective bath compartment: a voltage electrode port, a current electrode port, an air/gas port, and a solution drain port. Solution warming is provided by pumping heated water through each chamber-half and there are no delicate glass heat exchangers to be broken. The dual-chamber U2500 has the additional feature of including four needle valves for adjusting the air/gas mixture into each individual chamber-half.

Inserts can be easily exchanged between experiments. Solutions are removed from the chambers through the drain valves and the halves unclamped from each other. The insert is then simply replaced. Inserts are available to support a variety of tissue sizes and culture cups.

Standard Accessories Supplied with U9926 and U2500

The U9926 (single-channel chamber) is supplied with 1 electrode set (consisting of 2 voltage and 2 current electrodes), 12 bridge fittings with adapters; and a tubing/ fitting kit. The U2500 (dual channel) chamber is supplied with two each of the above described accessories. Chamber inserts are ordered separately.

U9926 & U2500

ussing/diffusion

Self-Contained Ussing Chambers (continued)

How to Order:

- **Select Base Assembly.** Each system includes one or two U9975A Electrode Set(s) and U9965EP Electrode Bridge Fitting Kit(s)
- **Select Insert.** Order 1 if using the U9926 and order 2 if using the U2500

Order #	Model	Product
Base Assembly		
W4 64-0568S	U9926	Single-channel Ussing Chamber Base Assembly, does not include insert
W4 64-0575S	U2500	Dual-channel Ussing Chamber Base Assembly, does not include inserts
Inserts for U9926 and U2500 Base Assembly		
Inserts for tissue, with o-ring		
W4 64-0582	U9924A-04	Round Insert, 3.8 mm, with O-Ring
W4 64-0583	U9924A-06	Round Insert, 6.0 mm, with O-Ring
W4 64-0584	U9924A-09	Round Insert, 9.0 mm, with O-Ring
W4 64-0585	U9924A-12	Round Insert, 12.0 mm, with O-Ring
W4 64-0586	U9924A-13	Round Insert, 13.5 mm, with O-Ring
Inserts for tissue, with pins		
W4 64-0587	U9924B-04	Round Insert, 3.8 mm, with 5 Pins
W4 64-0588	U9924B-06	Round Insert, 6.0 mm, with 5 Pins
W4 64-0589	U9924B-09	Round Insert, 9.0 mm, with 5 Pins
W4 64-0590	U9924B-12	Round Insert, 12.0 mm, with 5 Pins
W4 64-0591	U9924B-13	Round Insert, 13.5 mm, with 5 Pins
W4 64-0592	U9924C-03	Slotted Insert, 1.6 x 7.0 mm, with 6 Pins
W4 64-0593	U9924C-04	Slotted Insert, 2.4 x 7.0 mm, with 6 Pins
W4 64-0594	U9924C-05	Slotted Insert, 3.5 x 7.0 mm, with 6 Pins

Order #	Model	Product
Inserts for Culture Cup		
W4 64-0595	U9924F-09	Falcon® Adapter, 9 mm
W4 64-0596	U9924F-12	Falcon® Adapter, 12 mm
W4 64-0597	U9924F-25	Falcon® Adapter, 25 mm
W4 64-0598	1U9924M-12	Millicell® Adapter, 12 mm
W4 64-0599	U9924M-30	Millicell® Adapter, 30 mm
W4 64-0600	U9924S	Snapwell™ Adapter, 12mm
W4 64-0601	U9924T-06	Transwell® Adapter, 6.5 mm
W4 64-0602	U9924T-12	Transwell® Adapter, 12 mm
W4 64-0603	U9924T-24	Transwell® Adapter, 24 mm
Replacement Parts		
W4 64-0565	U9406	Tubing/Fitting Kit; Includes 3/16 in x 10 ft (ID x L) Tygon Tubing, 1/16 in x 10 ft (ID x L) Tygon Tubing, Eighteen 1/16 in Fittings (six each of straight, Y and Luer Fittings)
W4 64-0553	U9565EP	Electrode Bridge Fitting Kit; Includes twelve Bridge Fittings, six Bridge Fitting Adapters
W4 64-0554	U9975A	Electrode Set; Includes two Ag-AgCl Pellet Voltage Electrode, two Ag Wire Current Electrode
W4 64-0555	U9985	Bridge Fitting Adapters, pkg. of 6