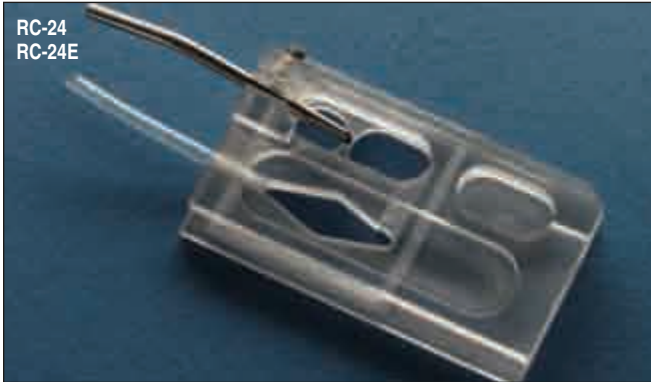


# series 20 chambers

## RC-24 and RC-24E

### Fast Exchange Open Diamond Bath Chambers

*Our smallest, open bath chambers for very fast solution times*



- Designed for physiological measurements of cell cultured coverslips
- Applications include patch clamp, imaging and intracellular/extracellular recordings
- Diamond shaped bath provides laminar solution flow
- Both perfusion and aspiration ports on same side of chamber
- Very small bath volume facilitates very fast solution exchange

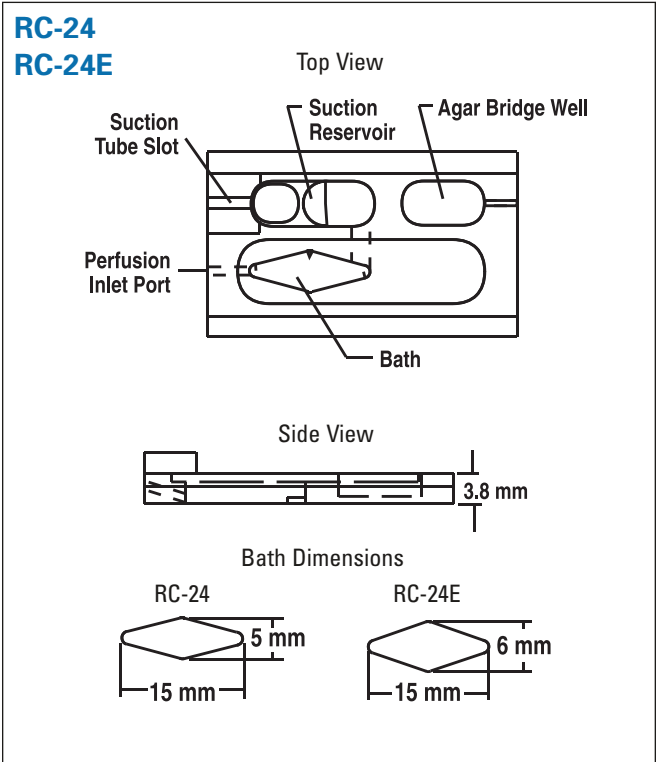
The bath volume in these models is among the smallest of the open style chambers. This enables very fast solution exchange for a variety of applications, including patch clamp and electrophysiology studies. The small bath volumes are especially useful when using drugs in small quantities.

The RC-24 and RC-24E have an unusual characteristic in that both the perfusion inlet and aspiration outlet is on the same side of the chamber. This allows the associated perfusion lines to be conveniently placed on only one side and facilitates electrode placement.

An agar bridge well for reference electrodes is provided, as is an aspiration well. The aspiration well is equipped with a stainless steel aspiration tube (1.67 mm OD) together with a tube clamp. The clamp insures that the adjustable suction tube will not move once the height is set by the user.

The floor of each chamber can be formed from either a 22 mm square coverslip or from a 22 x 40 mm rectangular coverslip. Each chamber requires a platform (P-1, PH-1, or PM-1) and a stage adapter to complete the assembly for mounting on a microscope.

*Each chamber is supplied with a package of #1 thickness glass coverslips (CS-22/40, 22 x 40 mm, 50/pkg) and 10 feet of PE-160 tubing.*



Specifications	RC-24	RC-24E
Material	Polycarbonate	Polycarbonate
Bath dimensions (L x W x H)	15 x 5 x 3.8 mm	15 x 6 x 3.8 mm
Volume, by depth	40 µl/mm	50 µl/mm
Bottom coverglass	22 x 40 mm	22 x 40 mm
Input tubing (ID x OD)	1.14 x 1.57 mm (PE-160)	1.14 x 1.57 mm (PE-160)
Aspirator coupling	1.67 mm (OD)	1.67 mm (OD)

Order #	Model	Product
W4 64-0230	RC-24	Fast Exchange Recording Chamber
W4 64-0231	RC-24E	Fast Exchange Recording Chamber
W4 64-0277	P-1	Platform, non-heated
W4 64-0284	PH-1	Platform, heated
W4 64-1526	PM-1	Platform, heated magnetic

Accessories and Replacement Parts		
W4 64-0755	PE-160/10	Polyethylene Tubing
W4 64-0707	CS-22/40	Coverslips, 22 x 40 mm #1, Box of 50
W4 64-0704	CS-22S	Coverslips, 22 x 22 mm