

# series 20 chambers

## RC-25 and RC-25F

### Round Coverslip Chambers

Open diamond bath polycarbonate recording chambers designed for round coverslips

Chambers

series 20 chambers



- Designed for physiological measurements of cell cultured coverslips
- Applications include patch clamp, intracellular/extracellular recordings and imaging
- Uses 12 or 15 mm round coverslips as the chamber floor
- Diamond shaped bath provides laminar solution flow
- Small bath volume facilitates fast solution exchange

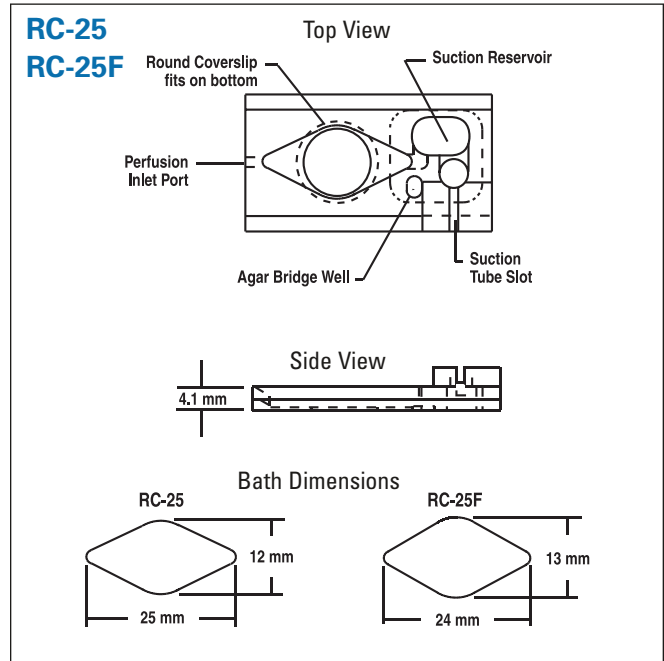
The design of the RC-25 and RC-25F chambers incorporates a diamond-shaped bath which has been shown to produce a laminar flow. Since the bath volumes of these chambers is small (90  $\mu\text{l}/\text{mm}$  and 133  $\mu\text{l}/\text{mm}$  for the RC-25 and RC-25F, respectively), fluid exchange times are measured in seconds even when flow rates are less than 1 ml/min.

The RC-25 works equally well with either 12 or 13 mm diameter coverslips while the RC-25F uses 15 mm coverslips. In general, these coverslips are used to form the bottom of the chamber bath.

NOTE: These chambers are not designed for insertion of coverslips from the top.

The RC-25 requires a platform (P-3, PH-3, or PM-3) and the RC-25F requires a platform (P-4, PH-4, or PM-4). Both chambers require a stage adapter to complete the assembly for mounting onto a microscope.

Each chamber is supplied with a package of #1 thickness glass coverslips (CS-12R; 12 mm round for the RC-25, CS-15R; 15 mm round for the RC-25F; 100/pkg) and 10 feet of polyethylene (PE-160) tubing.



Specifications	RC-25	RC-25F
Material	Polycarbonate or polysulfone*	Polycarbonate or polysulfone*
Bath dimensions (L x W x H)	25 x 12 x 4.1 mm	24 x 13 x 4.1 mm
Volume, by depth	90 $\mu\text{l}/\text{mm}$	133 $\mu\text{l}/\text{mm}$
Bottom coverglass	12 or 13 mm round	15 mm round
Input tubing (ID x OD)	1.14 x 1.57 mm (PE-160)	1.14 x 1.57 mm (PE-160)
Aspirator coupling	1.67 mm (OD)	1.67 mm (OD)

\* Please call for price and availability of polysulfone chambers.

Order #	Model	Product
W4 64-0232	RC-25	Round Coverslip Recording Chamber
W4 64-0233	RC-25F	Round Coverslip Recording Chamber
W4 64-0279	P-3	Platform, non-heated, for RC-25
W4 64-0286	PH-3	Platform, heated, for RC-25
W4 64-1562	PM-3	Platform, heated magnetic, for RC-25
W4 64-0280	P-4	Platform, non-heated, for RC-25F
W4 64-0287	PH-4	Platform, heated, for RC-25F
W4 64-1563	PM-4	Platform, heated magnetic, for RC-25F

#### Accessories and Replacement Parts

W4 64-0755	PE-160/10	Polyethylene Tubing
W4 64-0702	CS-12R	Coverslips, 12 mm
W4 64-0703	CS-15R	Coverslips, 15 mm