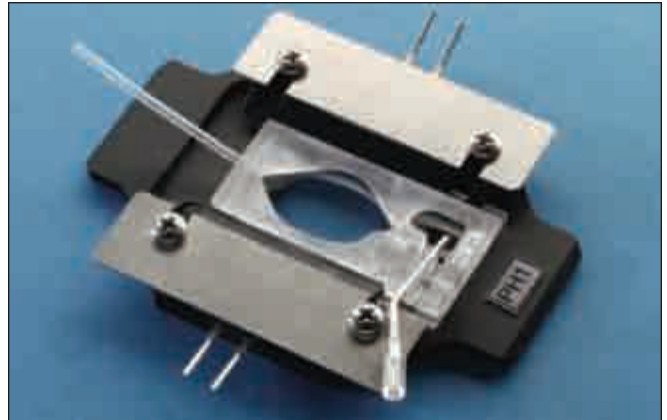
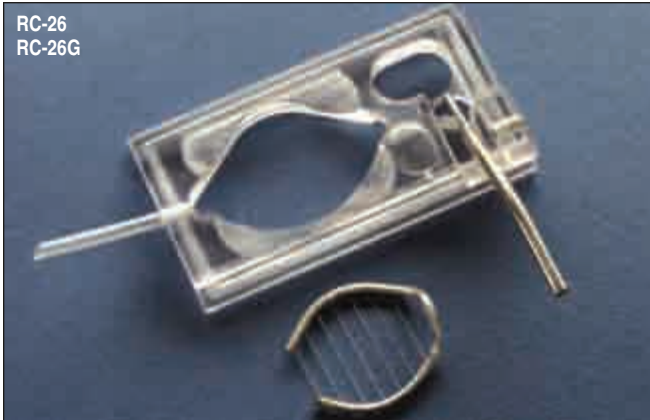


# series 20 chambers

## RC-26 and RC-26G

### Chambers with Coverslip Insertion Option

*Supports greater bath depth than the RC-26GLP*



RC-26 shown in a PH-1 heated platform

- Designed for patch clamp studies
- Can be used with tissue slice samples or cell cultured coverslips
- Tissue slice anchors available
- Applications include patch clamp, intracellular/extracellular recordings and imaging
- Diamond shaped bath provides laminar solution flow
- Large imaging area
- Can be used with upright or inverted microscopes

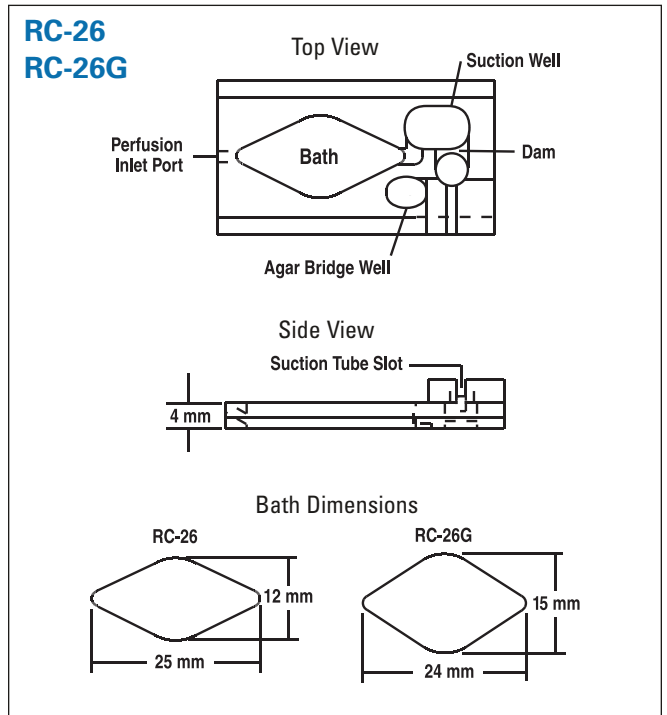
The RC-26 and RC-26G chambers are designed to be used with cells cultured onto glass coverslips or with tissue and brain slice samples. The broad imaging area of these chambers (12 x 25 mm and 15 x 24 mm for the RC-26 and RC-26G, respectively) provides excellent access for both electrodes and water-immersion objectives. The diamond shaped geometry facilitates laminar solution flow throughout the bath area.

The large bath of these chambers allows coverslips to be inserted into the top opening and removed at the end of the experiment. The RC-26 and RC-26G chambers can accept a 12 or 15 mm diameter coverslip, respectively. The working volumes, for 1 mm solution height, of the RC-26 and RC-26G model chambers are 170 and 234  $\mu$ l, respectively.

Large tissue samples can also be placed directly into the chamber. Slice anchor hold downs are available for tissue slice studies. Anchors are available with Lycra thread spacing at 1.0, 1.5, and 2.0 mm.

Both chambers require a platform (P-1, PH-1, or PM-1) and stage adapter to complete the assembly for mounting on a microscope. The chamber floor consists of a 22 x 40 mm coverslip.

*Each chamber is supplied with a package of #1 thickness glass coverslips (CS-22/40, 22 x 40 mm, 50/pkg) and 10 feet of PE-160 tubing.*



Specifications	RC-26	RC-26G
Material	Polycarbonate or polysulfone*	Polycarbonate or polysulfone*
Bath dimensions (L x W x H)	25 x 12 x 4 mm	24 x 15 x 4 mm
Volume, by depth	170 $\mu$ l/mm	234 $\mu$ l/mm
Bottom coverglass	22 x 40 mm	22 x 40 mm
Input tubing (ID x OD)	1.14 x 1.57 mm (PE-160)	1.14 x 1.57 mm (PE-160)
Aspirator coupling	1.67 mm (OD)	1.67 mm (OD)

\* Please call for price and availability of polysulfone chambers.

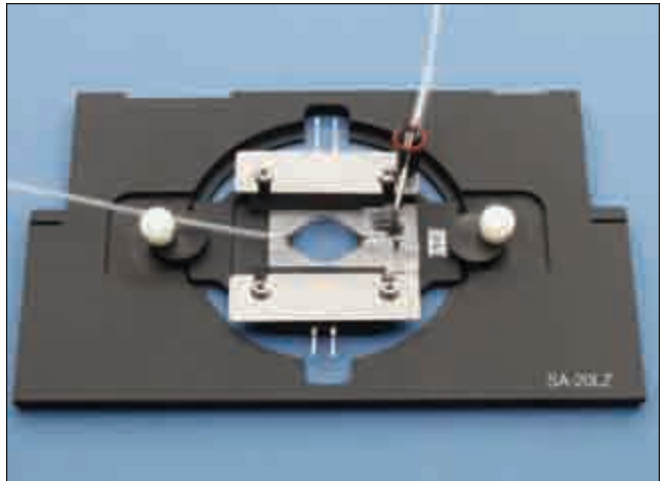
# series 20 chambers

## RC-26 and RC-26G

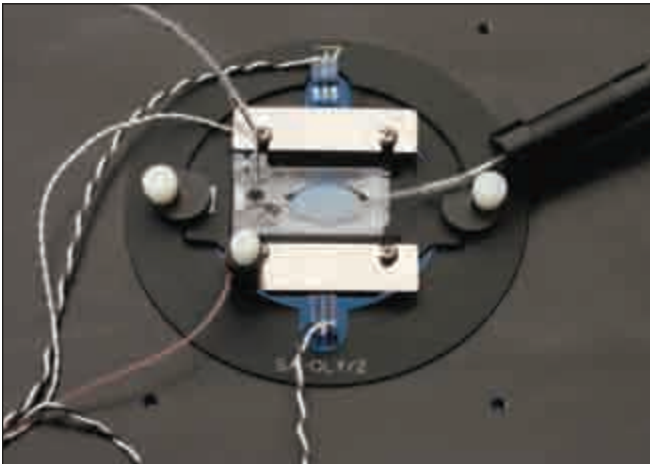
### Chambers with Coverslip Insertion Option (continued)



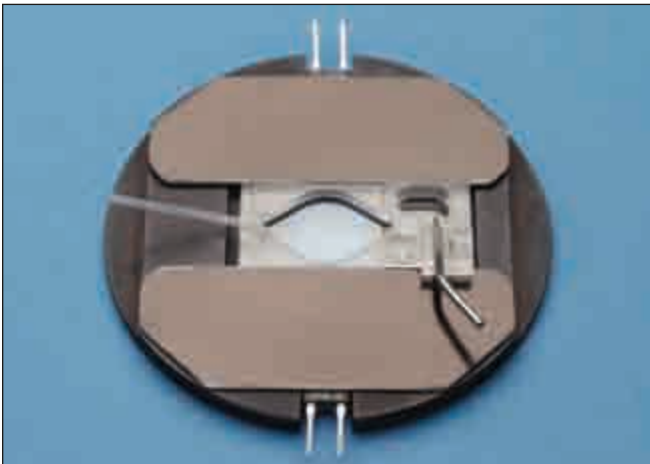
Model RC-26G chamber shown in a PH-1 heated platform on a stage adapter for a Nikon inverted microscope.



Model RC-26G chamber shown in a PH-1 heated platform with optional magnetic platform clamps on a stage adapter for a Zeiss inverted microscope.



Model RC-26G chamber on a microscope stage with in-line heater and CC-28 cable with thermistor feedback, (a typical set-up).



New PM-1 Heated platform with magnetic clamps, no screws needed to secure chamber to platform.

### Modular Design

The modular design of all Warner Series 20 chambers permit them to be mounted on just about any microscope stage, including those with a weight restriction.

Order #	Model	Product
W4 64-0234	RC-26	Large Bath Recording Chamber
W4 64-0235	RC-26G	Large Bath Recording Chamber
W4 64-0277	P-1	Platform, non-heated
W4 64-0284	PH-1	Platform, heated
W4 64-1526	PM-1	Platform, heated magnetic

### Accessories and Replacement Parts

W4 64-0250	SHD-26H/10	Slice Anchor for RC-26 (1.0 mm)
W4 64-0251	SHD-26H/15	Slice Anchor for RC-26 (1.5 mm)
W4 64-0252	SHD-26H/20	Slice Anchor for RC-26 (2.0 mm)
W4 64-0253	SHD-26GH/10	Slice Anchor for RC-26G (1.0 mm)
W4 64-0254	SHD-26GH/15	Slice Anchor for RC-26G (1.5 mm)
W4 64-0255	SHD-26GH/20	Slice Anchor for RC-26G (2.0 mm)
W4 64-0755	PE-160/10	Polyethylene Tubing
W4 64-0707	CS-22/40	Coverslips, 22 x 40 mm