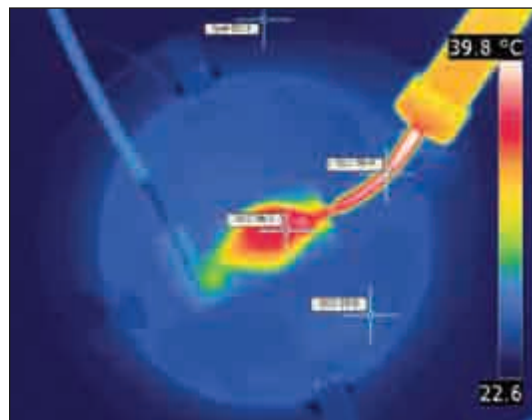


Designed for studies of cell cultured coverslips on upright microscopes



Thermograph demonstrating bath temperature of RC-26GLP with in-line heater. Platform heaters turned off, and the flow rate set to 2 ml/min.

- Applications include patch clamp, intracellular/extracellular recordings and imaging
- Extra-low profile facilitates electrode access
- Diamond shaped bath provides laminar solution flow
- Broad optical imaging area
- Can be used with either upright or inverted microscopes

The RC-26GLP is a low profile version of the RC-26G recording chamber. The sides of this chamber have been milled to a height of only 2 mm and the lower profile provides extra clearance for upright microscopes, water immersion objectives and permits good electrode access to the chamber bath.

The chamber floor is comprised of a 22 x 40 mm coverslip. The working volume is 234 μ l per 1.0 mm of solution height. The chamber is equipped with a stainless steel suction tube together with clamp. The clamp insures that the adjustable aspirator tube will not move once the height is set by the user.

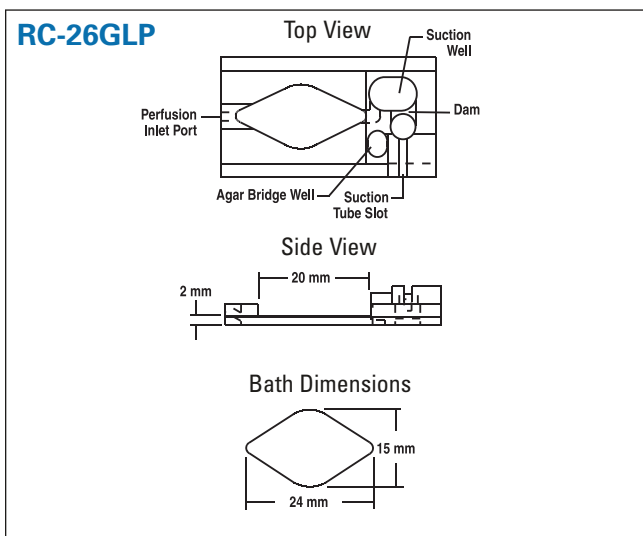
The RC-26GLP chamber requires a platform (P-1, PH-1 or PM-1) and stage adapter to complete the assembly for mounting onto a microscope.

Each RC-26GLP chamber is supplied with a package of CS-22/40 glass coverslips (#1 thickness, 22 x 40 mm, 100/pkg) and 10 feet of PE-160 tubing.

Specifications

Material	Polycarbonate or polysulfone*
Bath dimensions (L x W x H)	24 x 15 x 2 mm
Volume, by depth	234 μ l/mm
Bottom coverglass	22 x 40 mm
Input tubing (ID x OD)	1.14 x 1.57 mm (PE-160)
Aspirator coupling	1.67 mm (OD)

* Please call for price and availability of polysulfone chambers.



Order #	Model	Product
W4 64-0236	RC-26GLP	Low Profile Large Bath Recording Chamber
W4 64-0277	P-1	Platform, non-heated
W4 64-0284	PH-1	Platform, heated
W4 64-1526	PM-1	Platform, heated magnetic

Accessories and Replacement Parts

W4 64-0755	PE-160/10	Polyethylene Tubing
W4 64-0707	CS-22/40	Coverslips, 22 x 40 mm

Optional Slice Anchors

W4 64-0253	SHD-26H/10	Slice anchor for RC-26G (1.0 mm)
W4 64-0254	SHD-26H/15	Slice anchor for RC-26G (1.5 mm)
W4 64-0255	SHD-26GH2	Slice anchor for RC-26G and RC-26GLP (2 mm)