

*The RC-26 with the addition of two agar bridge wells for oocyte work*



RC-26Z shown in a P-1 platform

- Designed for TEV oocyte recording
- Diamond shaped bath provides laminar solution flow
- Large optical imaging area
- Can be used with either upright or inverted microscopes
- Tissue slice anchors available

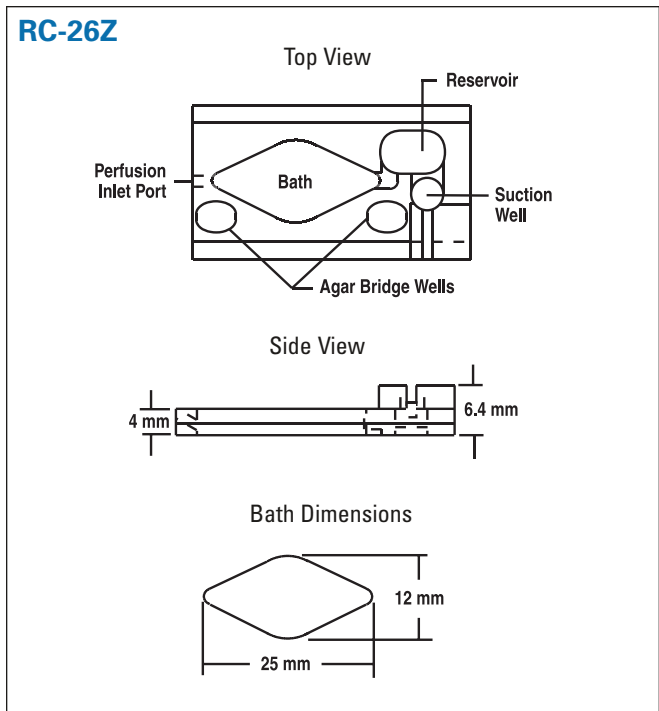
The RC-26Z is a polycarbonate chamber, similar in design to the RC-26, having two additional features specific for two-electrode oocyte recording: Namely, the dam height in the suction well is increased to 2.5 mm to provide an adequate solution level in the bath, and a second agar bridge well has been added to accommodate bath clamp electrodes.

The RC-26Z can also accommodate larger tissue slices and preparations, and permits excellent access for electrodes. The working volume is 170 µl/mm. The chamber floor consists of a 22 x 50 mm coverslip.

The chamber is equipped with a stainless steel suction tube (1.67 mm OD) together with a suction tube clamp. This insures the adjustable height suction tube will not move once the height is set by the user.

The RC-26Z chamber requires a platform (P-1, PH-1, or PM-1) and stage adapter to complete the assembly for mounting onto a microscope.

*Each RC-26Z is supplied with a package of #1 thickness glass coverslips (CS-22/50, 22 x 50 mm, 50/pkg) and 10 feet of PE-160 tubing.*



**Specifications**

Material	Polycarbonate
Bath dimensions (L x W x H)	25 x 12 x 4 mm
Volume, by depth	170 µl/mm
Bottom coverglass	22 x 50 mm
Input tubing (ID x OD)	1.14 x 1.57 mm (PE-160)
Aspirator coupling	1.67 mm (OD)

Order #	Model	Product
W4 64-0237	RC-26Z	Large Bath Oocyte Recording Chamber
W4 64-0277	P-1	Platform, non-heated
W4 64-0284	PH-1	Platform, heated
W4 64-1526	PM-1	Platform, heated magnetic
<b>Accessories and Replacement Parts</b>		
W4 64-0755	PE-160/10	Polyethylene Tubing
W4 64-0708	CS-22/50	Coverslips, 22 x 50 mm