

RC-27

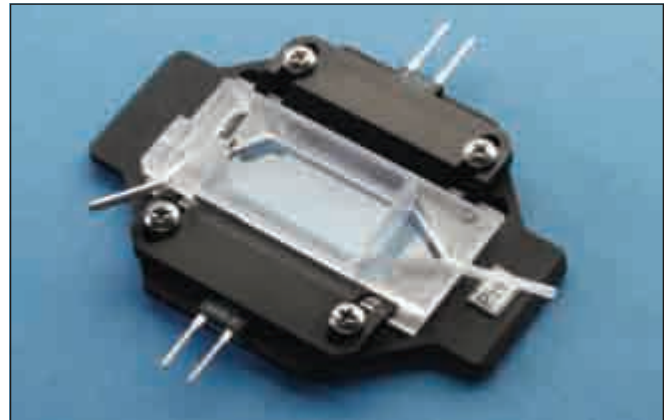
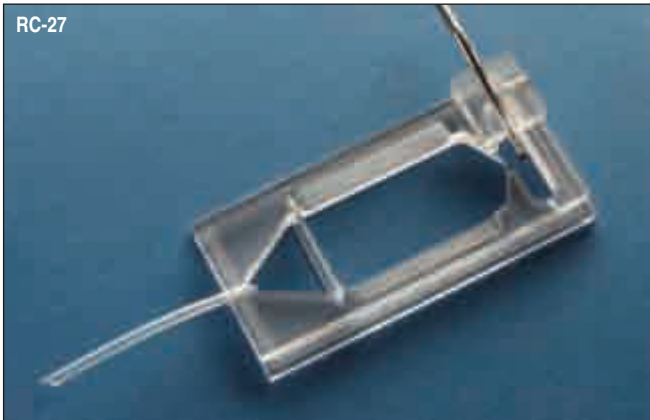
series 20 chambers

Large Rectangular Open Bath Chamber

A large bath chamber with a large viewing area designed for tissue sections

Chambers

series 20 chambers



RC-27 shown in a PH-6 platform

- Designed for large tissue sections or brain slice studies
- Large rectangular bath area accommodates insertion of coverslips up to 12 x 24 mm
- Large optical imaging area
- Can be used with either upright or inverted microscopes
- Slice anchors available

The RC-27 is a large bath chamber ideal for large tissue or brain slice studies. The large imaging area increases the likelihood of viewing desired features and the angled sides of the chamber facilitate electrode placement.

The chamber floor consists of a 24 x 50 mm rectangular coverslip and the bath area is 12 x 24 mm. These dimensions are useful for organotypic slice culture studies. An adjustable spreader plate at the bath input facilitates uniform solution flow. The working volume of the RC-27 is 413 µl per mm of solution height. The chamber is equipped with a stainless steel aspiration tube together with a clamp.

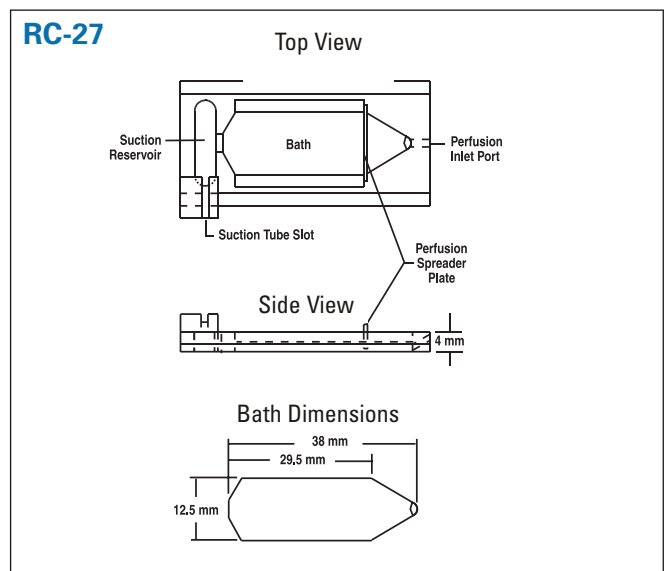
Designed for brain or tissue slice studies, several optional slice anchors are offered with Lycra thread spacing of 1.0, 1.5, and 2.0 mm. An anchor kit is also available containing slice anchors (1 each) in each available thread spacing.

The RC-27 requires a platform (P-6, PH-6, or PM-6) and stage adapter to complete the assembly for mounting onto a microscope.

Each chamber is supplied with a package of #1 thickness glass coverslips (CS-24/50, 24 x 50 mm, 50/pkg) and 10 feet of PE-160 tubing. Slice anchors sold separately, see page 71.

Specifications

Material	Polycarbonate
Bath dimensions (L x W x H)	38 x 12.5 x 4 mm
Volume, by depth	413 µl/mm
Bottom coverglass	24 x 50 mm
Input tubing (ID x OD)	1.14 x 1.57 mm (PE-160)
Aspirator coupling	1.67 mm (OD)



Order #	Model	Product
W4 64-0238	RC-27	Very Large Bath Recording Chamber
W4 64-0282	P-6	Platform, non-heated
W4 64-0289	PH-6	Platform, heated
W4 64-1527	PM-6	Platform, heated magnetic

Accessories and Replacement Parts

W4 64-0755	PE-160/10	Polyethylene Tubing
W4 64-0709	CS-24/50	Coverslips, 24 x 50 mm
W4 64-0267	SHD-27KIT	Slice Anchor Kit
W4 64-0194	SHD-27H/10	Slice Anchor, 1.0 mm
W4 64-0193	SHD-27H/15	Slice Anchor, 1.5 mm
W4 64-0192	SHD-27H/20	Slice Anchor, 2.0 mm
W4 64-1451	CPS-27	Perfusion Spreader Plate