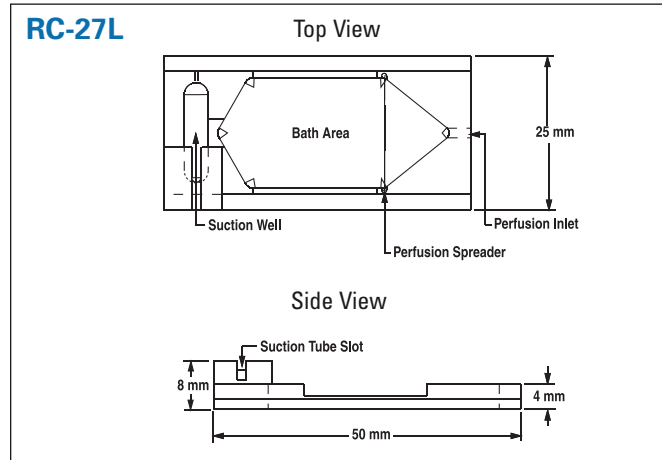
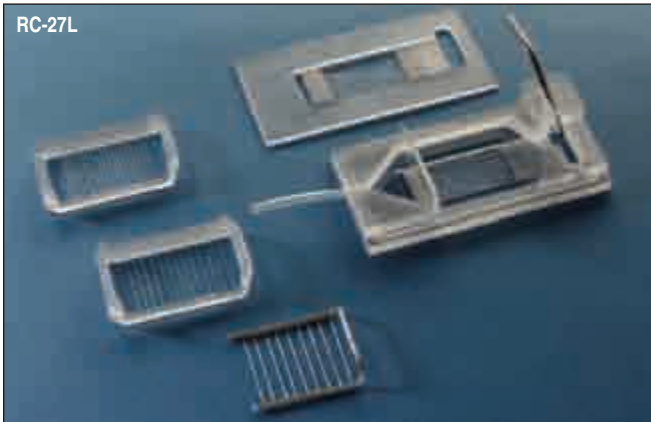


A large bath chamber specifically designed for tissue slice studies



- Designed for tissue slice studies
- Permits solution flow both above and below a tissue slice
- Provides good access for immersion optics and electrodes
- Can be used with either upright or inverted microscopes
- Slice anchors available

The RC-27L is designed with tissue slice studies in mind. The slice rests on a plastic support and is held in place by an anchor (also known as a harp). The slice support rests 0.5 mm above the coverslip floor. This design allows the tissue slice to be perfused from both above and below, which can increase the sample's viability. Slice supports are included and anchors are sold separately.

The slice support is fabricated in polycarbonate. Slice anchors are available in polycarbonate or stainless steel. Both slice supports and slice anchors use fine Lycra threads to secure the slice in place, allowing maximum access to the preparation. Thread spacing on the slice support is 1 mm and available thread spacing on slice anchors are 1.0, 1.5, and 2.0 mm. Polycarbonate or stainless steel anchor kits containing slice anchors (1 each) in each available thread spacing are also available.

While the weight of the metal harp is sufficient to hold a slice in place, the plastic harp relies on a close apposition between itself and the chamber side walls to secure it into position. This approach can reduce pressure on the slice from the supports.

The RC-27L requires a platform (P-6D, PH-6D, PM-6D)*; Also fits P-6 platform without slice support) and stage adapter to complete the assembly for mounting onto a microscope.

Each chamber is supplied with an SS-3 slice support, 10 feet of PE-160 polyethylene tubing, and a package of #1 thickness glass coverslips (CS-24/50, 24 x 50 mm, pkg. of 50).

* Slice anchors sold separately, see page 71.

* Also fits P-6 Platform without slice support.

Specifications

Material	Polycarbonate or polysulfone*
Bath dimensions (L x W x H)	38 x 18 x 3 mm
Volume, by depth	560 µl/mm
Bottom coverglass	24 x 50 mm
Slice support	24 x 50 x 0.5 mm thick, polycarbonate, Lycra threads at 1 mm
Input tubing (ID x OD)	1.14 x 1.57 mm (PE-160)
Aspirator coupling	1.67 mm (OD)

* Please call for price and availability of polysulfone chambers.

Order #	Model	Product
W4 64-0241	RC-27L	Large Bath Chamber
W4 64-0283	P-6D	Platform, non-heated
W4 64-0290	PH-6D	Platform, heated
W4 64-1528	PM-6D	Platform, heated magnetic
Accessories and Replacement Parts		
W4 64-0755	PE-160/10	Polyethylene Tubing
W4 64-0709	CS-24/50	Coverslips, 24 x 50 mm
W4 64-0273	SS-3	Slice Support
W4 64-1533	SS-3G	Grid
W4 64-0190	SHD-27LPKIT	Plastic Slice Anchor Kit
W4 64-0259	SHD-27LP/10	Plastic Slice Hold-Down, 1.0 mm
W4 64-0260	SHD-27LP/15	Plastic Slice Hold-Down, 1.5 mm
W4 64-0261	SHD-27LP/20	Plastic Slice Hold-Down, 2.0 mm
W4 64-0268	SHD-27LKIT	Stainless Steel Slice Anchor Kit
W4 64-0256	SHD-27LH/10	Stainless Steel Slice Hold-Down, 1 mm
W4 64-0257	SHD-27LH/15	Stainless Steel Slice Hold-Down, 1.5 mm
W4 64-0258	SHD-27LH/20	Stainless Steel Slice Hold-Down, 2 mm
W4 64-1450	CPS-27L	Perfusion Spreader Plate