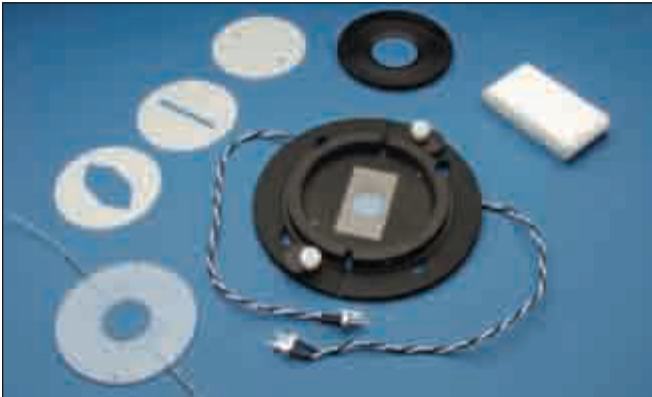


# series 30 chambers

## RC-30, RC-30HV and RC-30WA

### Confocal Imaging Chambers

Low profile, closed bath chambers designed for confocal imaging on upright and inverted microscopes



- Option of confocal imaging with continuous perfusion
- Accommodates both upright and inverted microscopes
- 17.7 mm diameter viewing aperture (RC-30, RC-30HV)
- 25.0 mm diameter viewing aperture (RC-30WA)
- User-defined cross-sectional viewing area
- User-defined bath volume with fast fluid exchange
- Three available gasket thicknesses
- Resistive heating option on chamber base

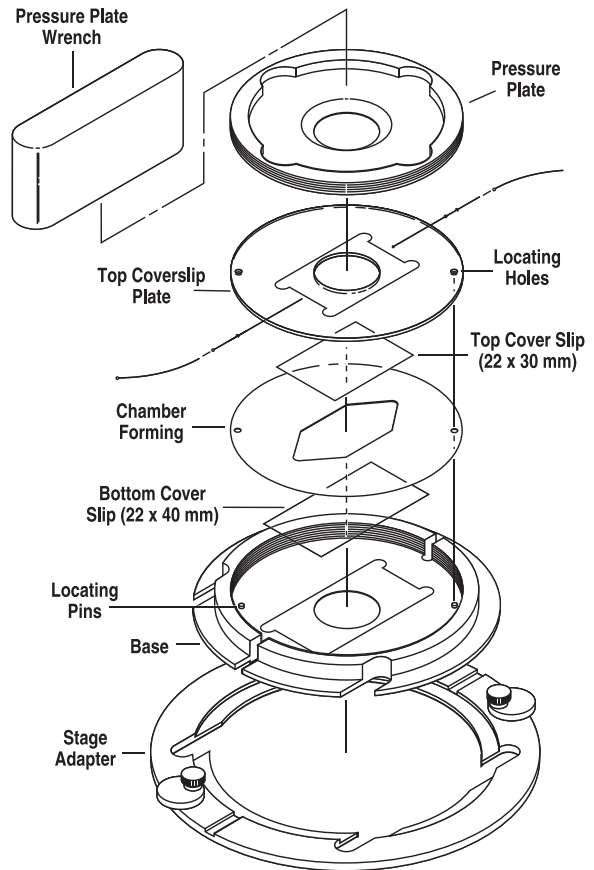
The RC-30 and RC-30HV are closed bath, low profile chambers incorporating special features for confocal imaging. These features include user defined bath geometry and total volume, and a large viewing area. A 22 x 30 mm (#1 thickness) glass coverslip forms the top of the chamber, while a 22 x 40 mm coverslip (also #1 thickness) forms the chamber bottom, creating a closed bath. This design enables the chamber to be inverted in the mounting platform allowing it to be used with both inverted or upright microscopes. The final viewing aperture is 17.7 mm.

The RC-30WA is a wide aperture version of the RC-30HV. It uses a 40 mm diameter coverslip for its bottom surface and a 30 mm diameter coverslip for its top. The final viewing aperture is 25 mm. The chamber bottom is beveled to permit maximum access to the bottom coverslip.

#### Variable Bath Volume/Fast Perfusate Exchange

The side walls of the bath are formed by silicone gaskets sandwiched between the top and bottom coverslips. Wall height (i.e., spacing between the two coverslips) can range from 150-1000  $\mu\text{m}$  and is defined by the total thickness of the gaskets used. Blank gaskets are supplied with the chamber allowing the development of the customized bath geometry required for unique applications.

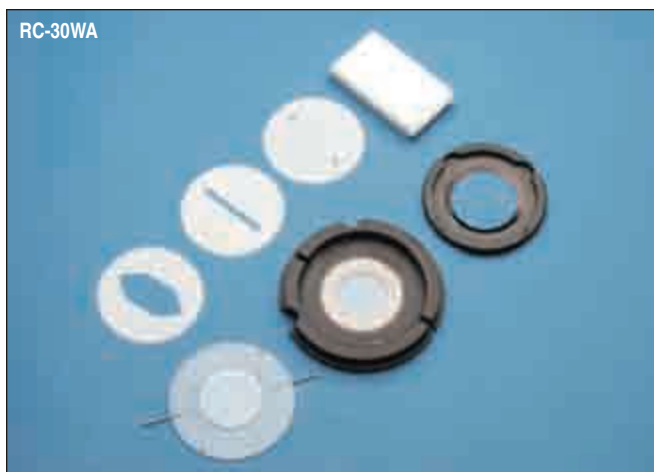
#### RC-30 RC-30HV RC-30WA



# series 30 chambers

## RC-30, RC-30HV and RC-30WA

### Confocal Imaging Chambers (continued)



Pre-cut gaskets are supplied with the chamber; one cut wide to allow full use of the aperture window and a narrow, slotted version for fast solution exchange. The bath volumes for these two pre-cut, 250  $\mu\text{m}$  thick gaskets are 26  $\mu\text{l}$  for the slotted style and 133  $\mu\text{l}$  for the wide style.

#### Heater Version

The RC-30HV and RC-30WA include a pair of resistive heater elements mounted onto the chamber base. These resistors are compatible with Warner TC-324B and TC-344B Temperature Controllers which can be ordered separately along with a CC-28 cable.

All versions of the confocal imaging chambers require special microscope stage adapters which must be ordered separately.

Confocal imaging chambers are supplied with six pre-cut 250  $\mu\text{m}$  thick gaskets: two large area bath gaskets (GS-30L/10, 133  $\mu\text{l}$  volume), two slotted bath gaskets (GS-30S/10, 25.6  $\mu\text{l}$  volume), and two blank gaskets (GS-30B/10) for user customized chamber areas. Also included is a special tool used for mounting the top plate, polyethylene tubing (PE-90/10, 10 feet.), and 22 x 30 mm and 22 x 40 mm #1 glass coverslips (CS-22/30 and CS-22/40, pkg. of 50). The RC-30WA includes one box each of 30 mm round coverslips (CS-30R) and 40 mm round coverslips (CS-40R).

Warner Instruments offers 150, 250, 375  $\mu\text{m}$  thick gaskets which are listed on the facing page.



Viewing Aperture	Top	Bottom
RC-30/30 HV	25.4 mm	17.8 mm
RC-30 WA	34.5 mm	25.4 mm

#### Specifications

Physical Dimensions (H x D)	9.5 x 82 mm
Weight	< 90 g, assembled with optional heaters
Base and Pressure Plate	Aluminum, black anodized
Top Coverslip Plate	Polycarbonate
Gaskets	Silicone rubber
Input/Output Tubing	PE-90
Coverslips for RC-30, RC-30HV	Top: 22 x 30 mm; Bottom: 22 x 40 mm
Coverslips for RC-30WA	Top: 30 mm round; Bottom: 40 mm round

# series 30 chambers

## RC-30, RC-30HV and RC-30WA

### Confocal Imaging Chambers (continued)



Order #	Model	Product
W4 64-0320	RC-30	Confocal Imaging Chamber
W4 64-0321	RC-30HV	Confocal Imaging Chamber
W4 64-0321WA	RC-30WA	Confocal Imaging Chamber
<b>Series 30 Stage Adapters</b>		
W4 64-0322	SA-30NIK	Nikon Diaphot/TE200/TE300/TE2000
W4 64-0324	SA-30TMS/9	Nikon TMS with 9 x 13 cm Cut-Out
W4 64-0325	SA-30/OLY2	Olympus IMT-2/IX-50/IX-70/BX-50WI
W4 64-0326	SA-30LZ	Zeiss Axiovert 211 x 230 Specimen Stage
W4 64-0327	SA-30KZ	Zeiss Axiovert 85 x 130 Mechanical (K) Stage
W4 64-0328	SA-30L3P	Leica Dmirb/E with 3-Plate Mechanical Stage
W4 64-0329	SA-30PLI	Prior & Ludl Motorized Stage
W4 64-0377	SA-30GALVOZ	Leica Galvo Z Upright Stage
W4 64-0379	SA-30UUZ	Zeiss LSM510
W4 64-0380	SA-30UU	Nikon E400/E600/E800
W4 64-1456	SA-30GALVZi	Leica Galvo Z Inverted Stage
<b>Accessories and Replacement Parts</b>		
W4 64-0330	GS-30L/10	Replacement Gaskets, Large Bath, 250 µm thickness, pkg. of 10
W4 64-0331	GS-30L/15	Replacement Gaskets, Large Bath, 375 µm thickness, pkg. of 10
W4 64-0332	GS-30S/10	Replacement Gaskets, Slotted Bath, 250 µm thickness, pkg. of 10
W4 64-0333	GS-30S/15	Replacement Gaskets, Slotted Bath, 375 µm thickness, pkg. of 10
W4 64-0334	GS-30B/10	Replacement Gaskets, Blank, 250 µm thickness, pkg. of 10
W4 64-0335	GS-30B/15	Replacement Gaskets, Blank, 375 µm thickness, pkg. of 10
W4 64-0341	GS-30B/4	Replacement Gaskets, Blank, 150 µm thickness, pkg. of 10
W4 64-0342	GS-30L/4	Replacement Gaskets, Large Bath, 150 µm thickness, pkg. of 10
W4 64-0343	GS-30S/4	Replacement Gaskets, Slotted Bath, 150 µm thickness, pkg. of 10
W4 64-1464	RC30TCP	Replacement Top Coverslip Plate
W4 64-1464WA	RC30TCPWA	Replacement Top Coverslip Plate for RC-30 WA
W4 64-0706	CS-22/30	Coverslips #1 Thickness (50)
W4 64-0707	CS-22/40	Coverslips #1 Thickness (50)
W4 64-1499	CS-30R	Coverslips #1.5 Thickness (90)
W4 64-1500	CS-40R	Coverslips #1 Thickness (60)
W4 64-1559	RH-3	Replacement Heating Elements, 2/pkg.