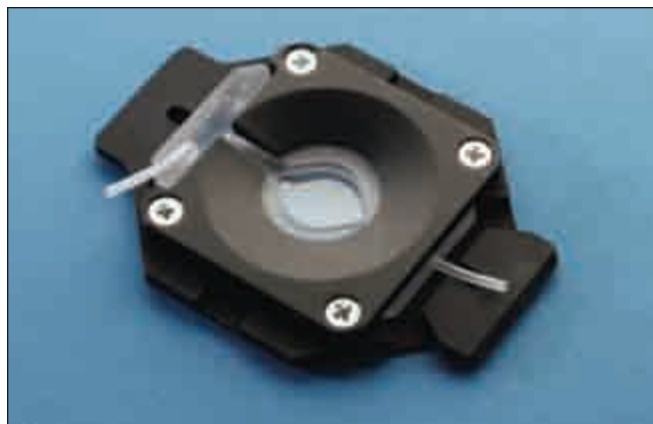


series 20 chambers

RC-21BDW

Open Diamond Bath

Open, diamond shaped bath with wicked solution removal



RC-21BDW shown in a P-2 platform

- Designed for physiological measurements on cell cultured coverslips
- Identical to the RC-21BRW except for a diamond shaped bath
- Uses a 25 mm round coverslip as the chamber floor
- Diamond shaped bath provides laminar solution flow
- Quiet operation
- Wicked solution removal from bath
- Can be used with upright or inverted microscopes

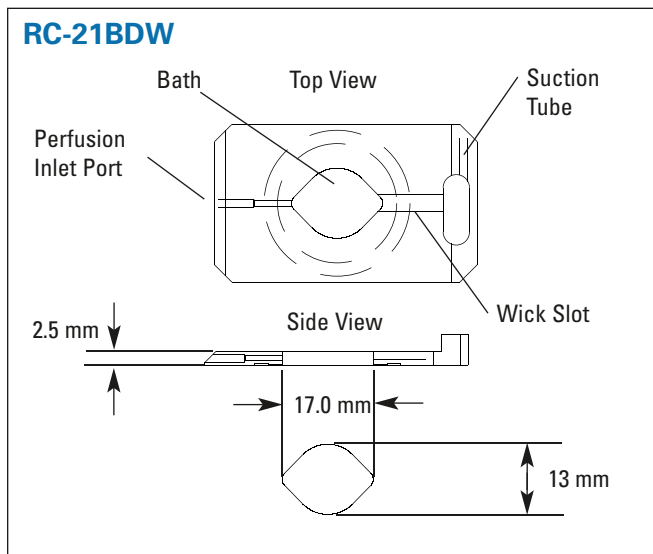
The low profile design of the RC-21BDW permits good electrode access to the chamber bath. Constant solution level and quiet operation are assured with the use of a wick between the chamber bath and suction well. With laminar flow, the sample is minimally distorted during perfusion. Bath volume is 143 μ l for each mm of solution height.

The RC-21BDW chamber requires a platform (P-2, PH-2, or PM-2) and stage adapter to complete the assembly for mounting onto a microscope.

Each RC-21BDW chamber is supplied with a package of #1 thickness glass coverslips (CS-25R, 25 mm diameter, pkg. of 100) and 10 feet of PE-160 polyethylene tubing.

Specifications

Material	Polycarbonate
Bath dimensions (L x W x H)	17 x 13 x 2.5 mm
Volume, by depth	143 μ l/mm
Bottom coverglass	25 mm round
Input tubing (ID x OD)	1.14 x 1.57 mm (PE-160)
Output tubing (ID x OD)	1.14 x 1.57 mm (PE-160)



Order #	Model	Product
W4 64-0362	RC-21BDW	Open Chamber for 25 mm Round Coverslips
W4 64-0278	P-2	Platform, non-heated
W4 64-0285	PH-2	Platform, heated
W4 64-1561	PM-2	Platform, heated magnetic

Accessories and Replacement Parts

W4 64-0755	PE-160/10	Polyethylene Tubing
W4 64-0705	CS-25R	Coverslips, 25 mm round, #1 thick, Box of 100