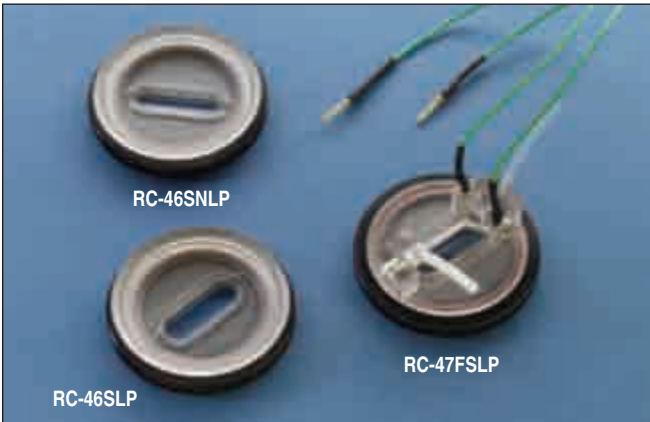


series 40 chambers

RC-46SLP, RC-46SNLP and RC-47FSLP

Slotted Bath Low Profile Chambers

Slotted bath with and without field stimulation



- Low profile design permits low entry angle for electrodes
- Slotted bath for applications requiring rapid perfusion
- Platinum electrodes for applications requiring field stimulation
- When used with QE-1 Quick Exchange Platform, both temperature control and perfusion are possible

The RC-46SLP, RC-46SNLP, and RC-47FSLP chambers use a 25 mm round coverslip in a slotted bath design to provide rapid solution exchange. O-rings seal the coverslip to the polycarbonate chamber and hold the chamber securely in the aluminum base.

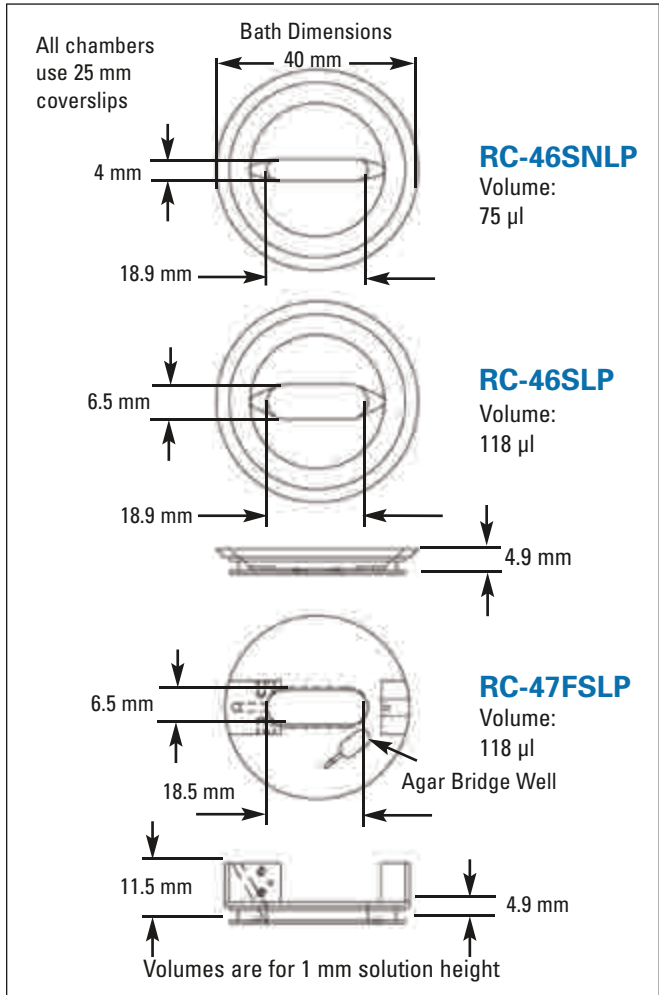
The low volume of these slotted bath chambers and the natural laminar flow allows rapid exchange of solution, facilitating drug application studies.

The RC-47FSLP includes a pair of platinum wires placed onto the parallel sides of the oval shaped bath. The 15 cm long connecting wires are terminated in 1 mm pins. This model includes a perfusion inlet port and a 16 gauge adjustable suction tube. An agar bridge well has been added to accommodate a bath ground electrode.

All chambers mount into the QE-1 Quick Exchange and DH Series Platforms and feature a 19.7 mm diameter aperture in the aluminum base.

Chambers are supplied with one box of #1.5 thickness, 25 mm coverslips and spare O-rings. Additionally, RC-47FSLP is supplied with 10 feet of PE-160 polyethylene tubing.

The SIU-102 is a bipolar stimulator designed for use with field stimulation chambers. This instrument features constant current and constant voltage modes, as well as bipolar, pulse, and DC modes. Optical coupling is used to electronically isolate the stimulator from the pulse source. Currents up to 100 mA and voltages up to 100 V are also supported. See page 247 for details.



Order #	Model	Product
W4 64-0372	RC-46SLP	Quick Change Chamber Slotted Bath
W4 64-0373	RC-46SNLP	Quick Change Chamber Narrow Slotted Bath
W4 64-0374	RC-47FSLP	Quick Change Chamber w/ Field Stimulation

Accessories and Replacement Parts

W4 64-0375	QE-1	Quick Exchange Heated Base
W4 64-0705	CS-25R	Coverslips 25 mm Dia. #1 Box/100
W4 64-0715	CS-25R15	Coverslips 25 mm Dia. #1.5 Box/100
W4 64-1424	SIU-102	Stimulus Isolation Unit
W4 64-1425	CC-102	Cable, male banana to 1 mm jacks (for use with Warner field stimulation chambers)
W4 64-0755	PE-160/10	Polyethylene Tubing