

culture dish inserts

RC-33DL, RC-33DM, RC-33SM, RC-33SN, RC-33/KIT

Disposable Perfusion Inserts for 35 mm Dishes

Chambers

culture dish inserts

Chamber inserts for 35 mm culture dishes



- Low cost disposable chamber inserts for 35 mm dishes
- Slot-shaped bath for applications requiring rapid perfusion
- Warner's diamond-shaped bath in the large bath versions
- Both temperature and perfusion control are possible when used with QE-1 Quick Exchange Platform

The RC-33DL, RC-33DM, RC-33SM, and RC-33SN chambers are designed to drop into a 35 mm dish to create a low cost perfusion chamber. A thin coating of silicone grease forms a seal between the insert and dish.

The low volume of the RC-33SM and RC-33SN slotted bath chambers and the natural laminar flow allows rapid exchange of solution, facilitating drug application studies.

The diamond shaped baths of the RC-33DL and RC-33DM provide a larger working area while maintaining good flow characteristics. A suction well is incorporated into all inserts to insure quiet operation.

Chambers are sold six to a package. A twelve pack is also available containing three of each chamber type.

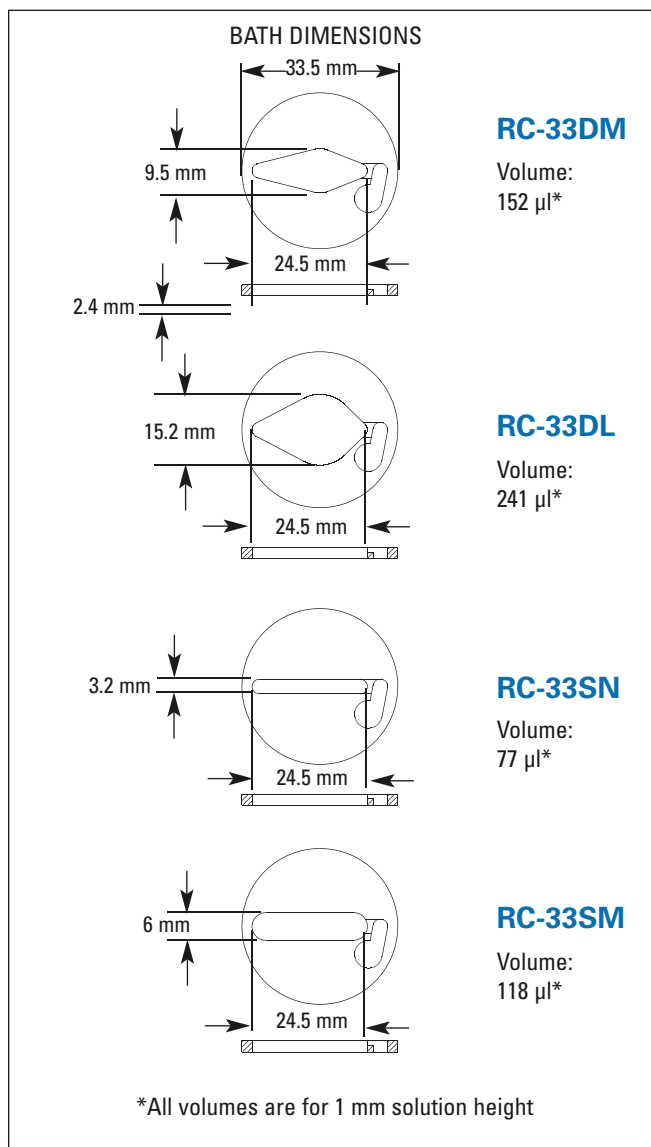
NOTE: Verify the inner diameter of your culture dish before ordering.

Disposable Perfusion Insert Fit:

Nunc

Corning

MatTek (Corning glass bottom)



Order #	Model	Product
W4 64-1482	RC-33DL	Chamber Insert Diamond Large Bath, 6 Pack
W4 64-1481	RC-33DM	Chamber Insert Diamond Medium Bath, 6 Pack
W4 64-1484	RC-33SM	Chamber Insert Slotted Large Bath, 6 Pack
W4 64-1483	RC-33SN	Chamber Insert Slotted Narrow Bath, 6 Pack
W4 64-1485	RC-33Kit	Chamber Inserts Assortment 12 Pack, 3 of each type