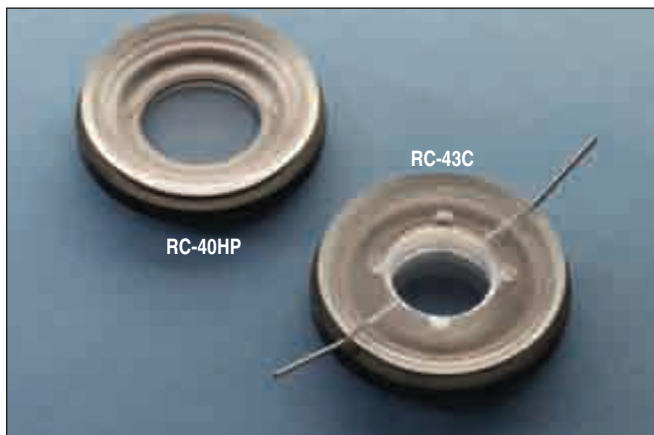


series 40 chambers

RC-40HP and RC-43C

High Profile and Closed Bath Chambers

Closed bath chamber for round coverslips



- O-ring seals permit quick exchange of coverslips
- Anodized aluminum base ensures good heat transfer
- Open and closed bath designs
- Use standard #1 or #1.5 thickness coverslips
- Ideal for rapid screening assays

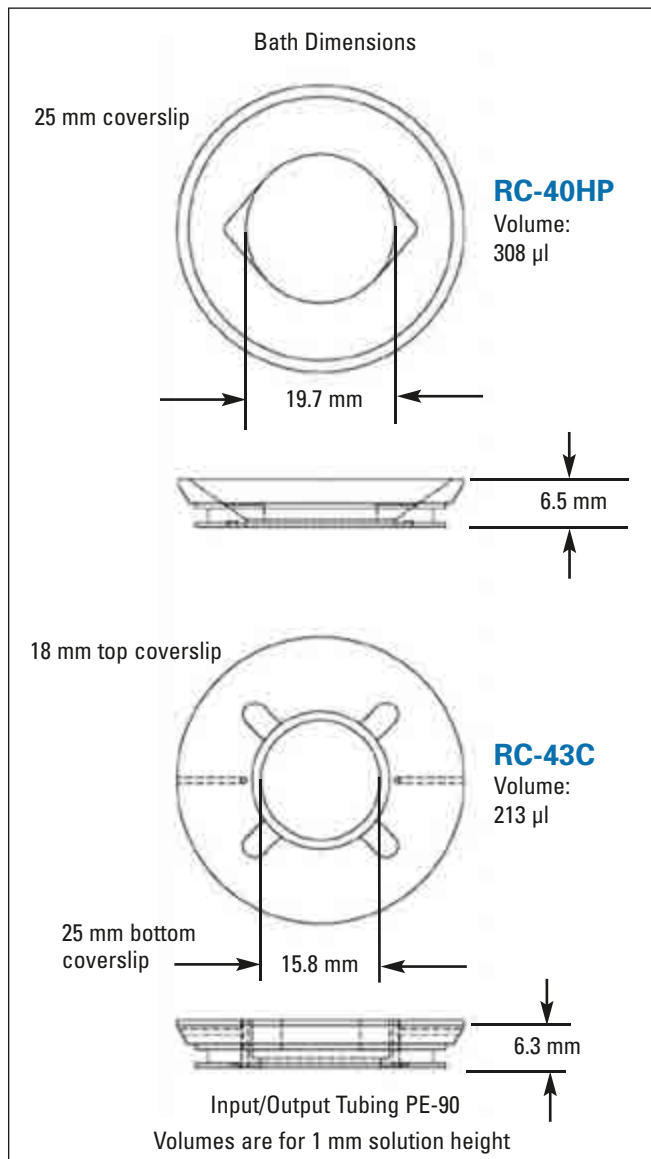
The RC-40HP uses a 25 mm coverslip to form the chamber bottom. The 6.5 mm tapered interior sides provide clearance for pipettes, injectors, etc. and allow for a greater bath depth than the 40LP Series.

The RC-40HP Chamber is supplied with one package of 25 mm diameter #1.5 coverslips.

The RC-43C is the closed bath member of the Series 40 family. The closed bath design promotes an even solution exchange and eliminates changes in focus due to alterations in bath height. Studies involving physiological bicarbonate buffers can be performed with no gas loss at the chamber interface.

Fluid is delivered to a 20 gauge stainless steel perfusion inlet port and removed from the chamber by means of a similar outlet port. The top coverslip is held in place with a retainer. A thin coating of silicone grease forms the seal between chamber and coverglass. The distance between top and bottom coverslips is 1 mm.

The RC-43C Chamber is supplied with one package each of #1.5 coverslips (25 and 18 mm round, respectively) and spare O-rings. Additionally, the RC-43C is supplied with 10 feet of PE-160 and PE-90 polyethylene tubing. Slice anchors available for RC-40, see page 71.



Order #	Model	Product
W4 64-0370	RC-40HP	Quick Change Chamber, High Profile
W4 64-0371	RC-43C	Quick Change Chamber, Closed Bath
Accessories and Replacement Parts		
W4 64-0375	QE-1	Quick Exchange Heated Base
W4 64-0384	CS-18R	Coverslips 18 mm Dia. #1, Box /100
W4 64-0705	CS-25R	Coverslips 25 mm Dia. #1, Box /100
W4 64-0714	CS-18R15	Coverslips 18 mm Dia. #1.5, Box /100
W4 64-0715	CS-25R15	Coverslips 25 mm Dia. #1.5, Box /100
W4 64-0754	PE-90/10	Polyethylene Tubing
W4 64-0755	PE-160/10	Polyethylene Tubing